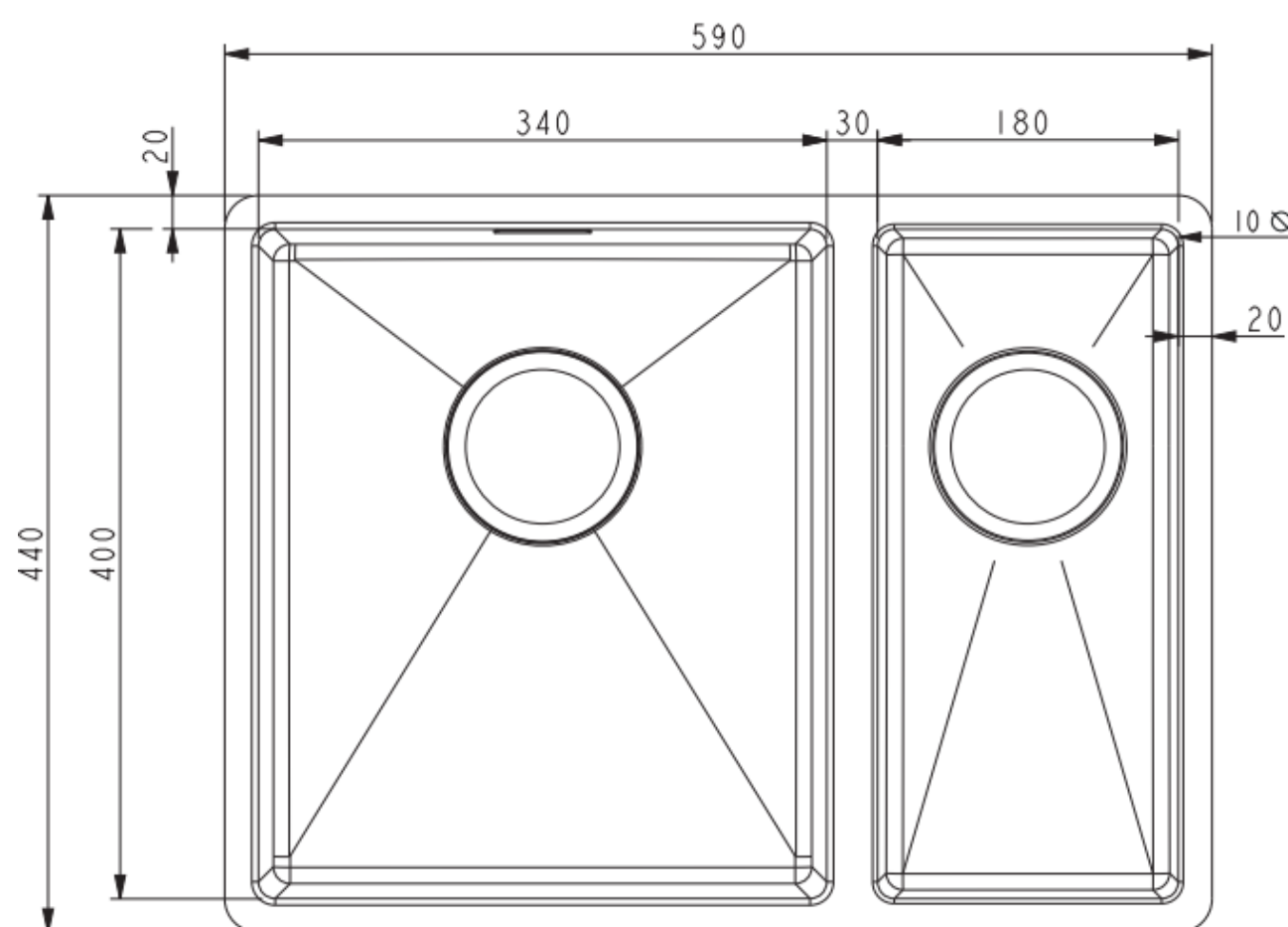


Product Data Sheet

prima⁺
The Smarter Choice™



Prima Code	CPR524
Description	PRIMA+ 1.5B R10 LH Main Bowl INS SINK STST
Colour	Polished Stainless Steel
Material	SS304 Stainless Steel
Stainless Steel Thickness (mm)	0.8
Finish	Polished
Fitting Style	Inset & Undermount
Sealant Strip (Incl./Separate)	N/A
No. Drainers	0
No. Tap Holes	0
Dimensions (mm)	W590 x D440 x H190
Main Bowl Dimensions (mm)	W340 x D400 x H190
Small Bowl Dimensions (mm)	W180 x D400 x H125
Cut out depth (mm)	See downloads for Inset or Undermount
Cut out width (mm)	
Minimum cabinet width (mm)	600
Main Bowl Radius (mm)	10
Small Bowl Radius (mm)	10
Drainer (RH/LH)	No Drainer
Reversible	No
Accessories (included)	Waste, overflow, clips & Cut out guide
Accessories (optional)	CPR108 Plumbing kit
Waste disposer compatible	Yes
Boxed/Sleeved packaging	Boxed
Guarantee	Lifetime