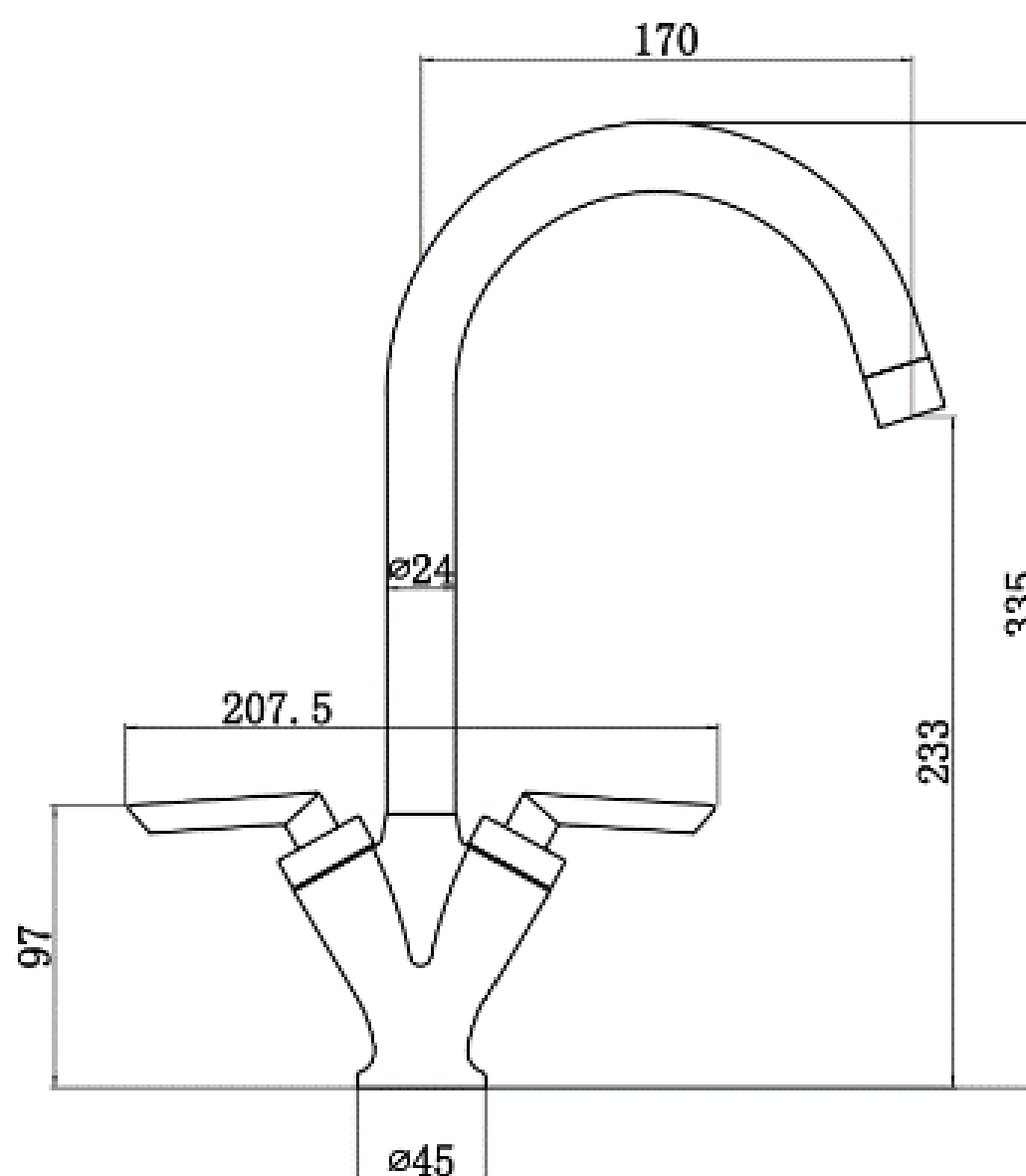


Product Data Sheet



Prima Code	BPR1057
Description	Dual Lever V Shape Mixer Tap
Colour	Chrome
Material	Chrome
Minimum Pressure	0.1 bar
Maximum Pressure	12 Bar
Spout Type	Swivel
Operation	Quarter turn
Spout Reach(mm)	170
Spout Height (mm)	223
Product Height (mm)	335
Base/Handle Width (mm)	207
Base Diameter (mm)	45
Tap Hole requirement (mm)	30
Guarantee	5 years, 3 Valves, 1 serviceable parts
WRAS approved (/certificate)	Approved